

LAB1ST

Vortex Trichome Separator

>>>

Labfirst Scientific Instruments (Shanghai) Co., Ltd.

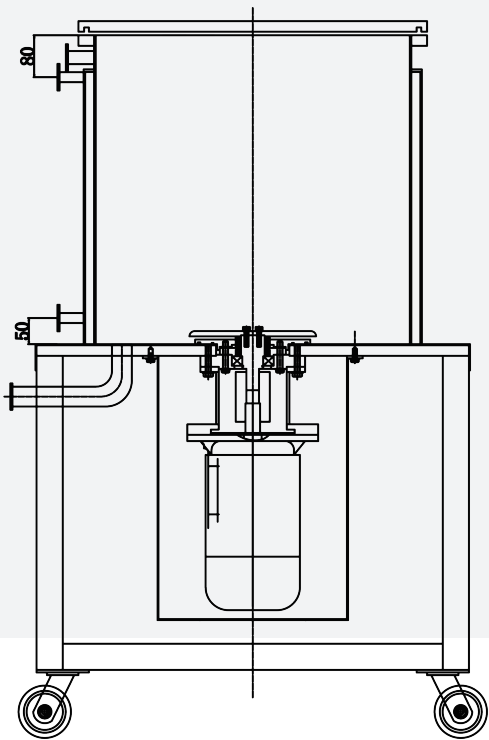


+86-13524020331 (China)
+1-844-452-2178 (USA)
sales@lab1st.com

www.lab1st.com
@lab1st
lab1st_scientific_

Vortex Trichome Separator

The Lab1st Vortex Trichome Separator, also known as a hash washing machine, is a type of solventless water-based separation equipment. It primarily utilizes cold water under powerful force to separate botanicals and terpene-rich trichomes from plants, achieving high-quality and light-colored hash products. This force is driven from the bottom of the paddle, and the unique shape of the extraction kettle creates cross-flow turbulence. After separating the insoluble solid (trichomes), an automated program can filter and dry the liquid easily to get what you want.



The Lab1st TS-190L vortex trichome separator comes with a 190L (50-gallon) jacketed vessel and 0.9 m² of cooling area. It is a safe and ideal choice for you since it doesn't require excessive installation costs and permitting requirements.

Features >>>

- Solventless water-based technology
- Jacketed vessel with 1.5" tri-clamp inlet and outlet
- 50 gallons (190 liters) vessel capacity
- Sanitary stainless steel construction
- Rounded and curved product contact surfaces

Details >>>



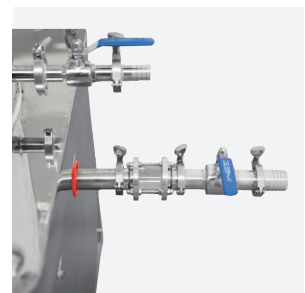
Smart PLC control



Food-grade viewing window on lid for easy observation



Cross-flow turbulence flow, bi-directional agitation



Overflow outlet in case of accidental seal leakage

Parameter >>>

Model	TS-190L
The main technical parameters	
Volume [L gal]	190 50
Cooling area [㎡]	0.9
Design operating temp. [°C]	-20°C-100°C
Design working pressure [Mpa]	Atm
Jacket pressure [Mpa]	0.1-1.6
Jacket volume [L gal]	18 4.7
Material inlet and outlet	Opening the lid and discharging materials
Material	SUS304, can be upgraded to SUS316L
Centrifuge support method	Rubber shock absorption
Power requirements	Power: 1.1Kw; 380V/220V; single phase/3 phases; 50/60HZ
Certification	ATEX, UL, GMP and other certifications available
Speed range [rpm]	200-800
Connection size	
Liquid inlet [mm]	1.5" quick-release clamp Tri-clamp (50.5 chuck; OD19mm)
Drainage port [mm]	1.5" quick-release clamp Tri-clamp (50.5 chuck; OD38mm)
Jacket inlet and outlet [mm]	1.5" quick-release clamp Tri-clamp (50.5 chuck; OD19mm)
Motor and transmission	
Motor power [Kw]	1.1
Start mode	Frequency conversion start
Braking mode	brake to stop
Deceleration resistor	Braking resistor
Transfer method	Motor direct connection
Electrical appliances	
Frequency converter	Inges
PLC	Xinjie
Communication method	RS485
Centrifuge speed control mode	Frequency
Touch panel box	Wei Luntong
Signal lines, control lines	10 m
Motor wire	5 meters
Main power cord	5 meters
Dimensions	
Installation dimensions Weight	850×850×1400mm 350Kg
Packing size Weight	920×980×1530mm 450kg

