

**LAB1ST**



# Printer



Labfirst Scientific Instruments (Shanghai) Co., Ltd.

# Printer

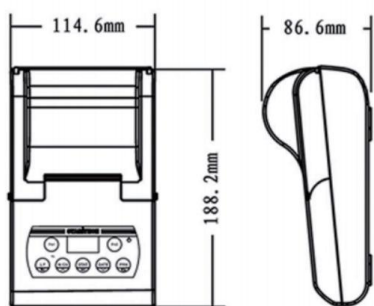
## TXY Series

The TX-100/110/120 series balance printer, which has a streamlined appearance and an outstanding cost-effective, completely meets the quality requirements of the chemical and pharmaceutical industry and GLP, GMP standard certification. From the most basic printing needs, to the wealth of applications, the TX-100/110/120 series balance printer provides users with flexible choice.



## Product Features

- Printing mode: 9-needle shuttle impact dot matrix printing
- Printing paper: 57mm paper width, plain paper, non thermal type
- Color band: Epson erc-09 or erc-22
- Interface: RS232C/USB(TXY-120)
- Mechanical dimension (mm):114.6 (W) X 86.6 (H) X 188.2(L)



Model	TXY Series
Printing method	Impact dot
Inking	Ink ribbon (EPSON ERC-22 or ERC-09)
Printing format	24 digits / line (5x7 dot matrix)
Character size	1.7mm (W) x 2.6mm (H) ASCII
Paper	Regular paper 57.5mm width, 50mm in diameter
Printer mechanism durability	1.5 million lines Operation temperature range: 0-50°C
Input voltage	DC 12V (1.5A)
Interface	RS-232C
Gross weight (with packaging)	1500g approx

## Printing Examples

<pre> AND Model:      HR120 S/N:        D23452456 ID:         1234 Date:       2014-03-28 Start Time: 17:30:22 Sample No.  0000000543  001 17:30:22  10.003 mg 002 17:30:25  10.004 mg 003 17:30:26  10.005 mg  End Time:     17:30:28 Signature:                     </pre>	<pre> Shimadzu Corporation Model:      AUW120D S/M:        D684297070 ID:         61100 Date:       2013-10-01 Time:       16:37:09 Sample No.  0000000247  Tare:       10.001 mg Gross:      10.002 mg Net:        0.001 mg  End Time:    16:37:10 Signature:                     </pre>	<pre> -----&lt;STAT&gt;----- No.001      10.006 mg No.002      10.007 mg No.003      10.008 mg -----&lt;RESULT&gt;----- N=          3 T=          30.021 mg MAX=        10.008 mg MIN=        10.006 mg RNG=        0.002 mg MEAN=       10.0070 mg SD=         0.001000 mg CV=         0.009993005 %  End Time:   16:40:46 Signature:                     </pre>	<pre> -----&lt;STAT&gt;----- No.001      10.006 mg No.002      10.007 mg No.003      10.008 mg -----&lt;RESULT&gt;----- N=          3 T=          30.021 mg MAX=        10.008 mg MIN=        10.006 mg RNG=        0.002 mg MEAN=       10.0070 mg SD=         0.001000 mg CV=         0.009993005 %  End Time:   16:40:46 Signature:                     </pre>
--	---	---	---

# Function

Function	TX-100	TX-110	TX-120
128x64 OLED		√	√
Date & time (built-in clock)	√	√	√
Direct mode	√	√	√
Weighing mode	√	√	√
Statistical mode		√	√
Sum mode		√	√
Mean mode		√	√
Formulation mode		√	√
Sample name & ID input		√	√
Authority management		√	√
Periodic printing		√	√
Data export(use U-Disk)			√
Data curve print			√
Optional external keypad			√
Barcode scanner support			√

# Printer

## PRINT-01 Series



Model	PRINT-01 Series
Printing method	thermal printer
Effective printing width	48mm
Print paper width	57mm ± 0.5mm
Interface	RS232
Machine size (mm)	150x122x93mm